
Model : GP605
GP555

Ref. No. : FF-T01- K1-000035-01

Date : November 11, 1999

© Canon (UK) Limited

Location : SEPARATION MOTOR ASSEMBLY

Subject : COUNTERMEASURE FOR DOCUMENT JAMS CAUSED BY DAMAGE TO SPRING,
TENSION.

Reason : As a countermeasure against document jams, the durability of the tension spring in the ADF separation motor assembly has been increased.

Details : <Symptom>
With older parts, when paper is being fed by the ADF, the document stopper guide sometimes fails to lower properly, causing a document jam.

<Cause>

The tension spring inside the ADF separation motor assembly gets weaker with age and may snap. This causes the document stopper guide to be unable to lower, resulting in a document jam.

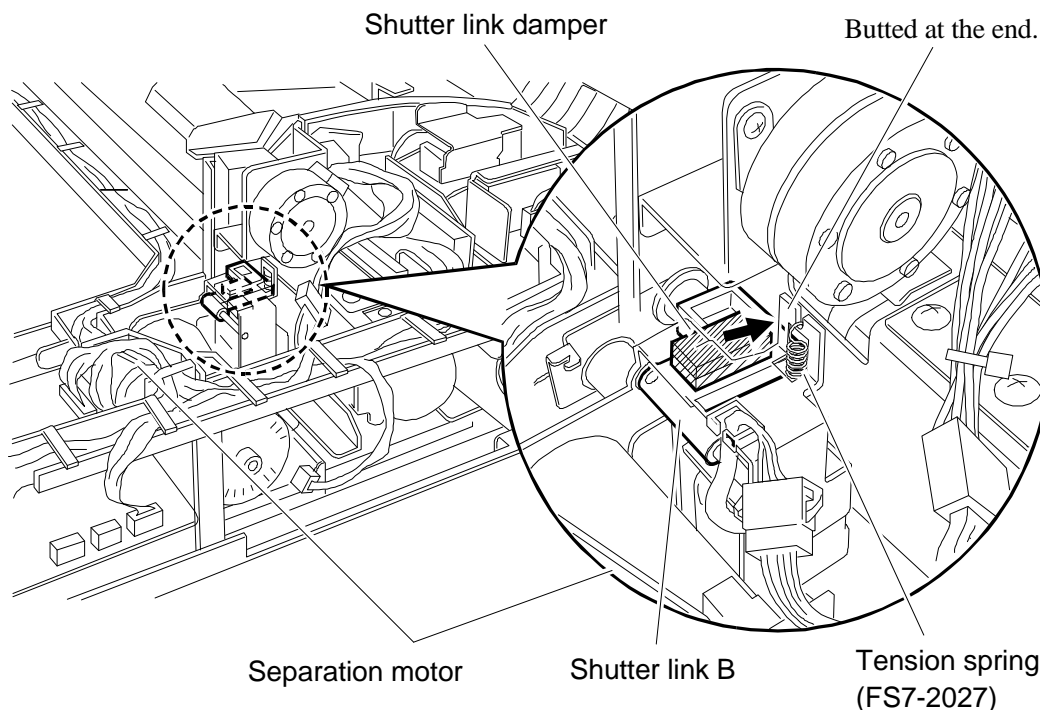
<Factory measure>

In order to increase the durability of the tension spring in the ADF separation motor assembly, the tension spring has been changed and new parts (shutter link damper) have been added to reduce the load on the spring.

Servicing : Follow the procedures described below to carry out the parts replacement.

<Procedure>

- 1) Remove the ADF outer cover.
- 2) Replace the old tension spring (FS7-2027) at the back of the ADF separation motor assembly with the new tension spring (FS7-2027). (Parts catalogue FY8-31DV-00, page 21-5)
- 3) Peel off the backing tape from the double sided tape and align the shutter link damper (FB4-8068) with the edge of the shutter link B (FB4-7769) and affix it.
- 4) Attach the ADF cover in the reverse order.



Figure

Service Parts

No.	Description		Part number	Q'ty	Stock	Inter-change-ability	PC.
							Stock date
1	Old	SPRING,TENSION	FS7-2027-000	1→0	C	↓ No ↑ Yes ↓ Yes ↑ No	21-5
	New	SPRING,TENSION	*FS7-2027-000	0→1	D		In stock

* The old tension springs have been discontinued, and warehouse inventory has all been replaced. Therefore, the parts revision number will not advance.
 Further, the shutter link dampers and tension springs are to be distributed, so the shutter link damper has not been set as a service part.

***Part number is the same, however specification of spring has changed.**

Affected machines:

PLE00232 and later	NLE08155 and later	PLP00411 and later	QLE00746 and later
RLE00333 and later	SLE00563 and later	TLE00318 and later	ULE01376 and later
NNT06435 and later			